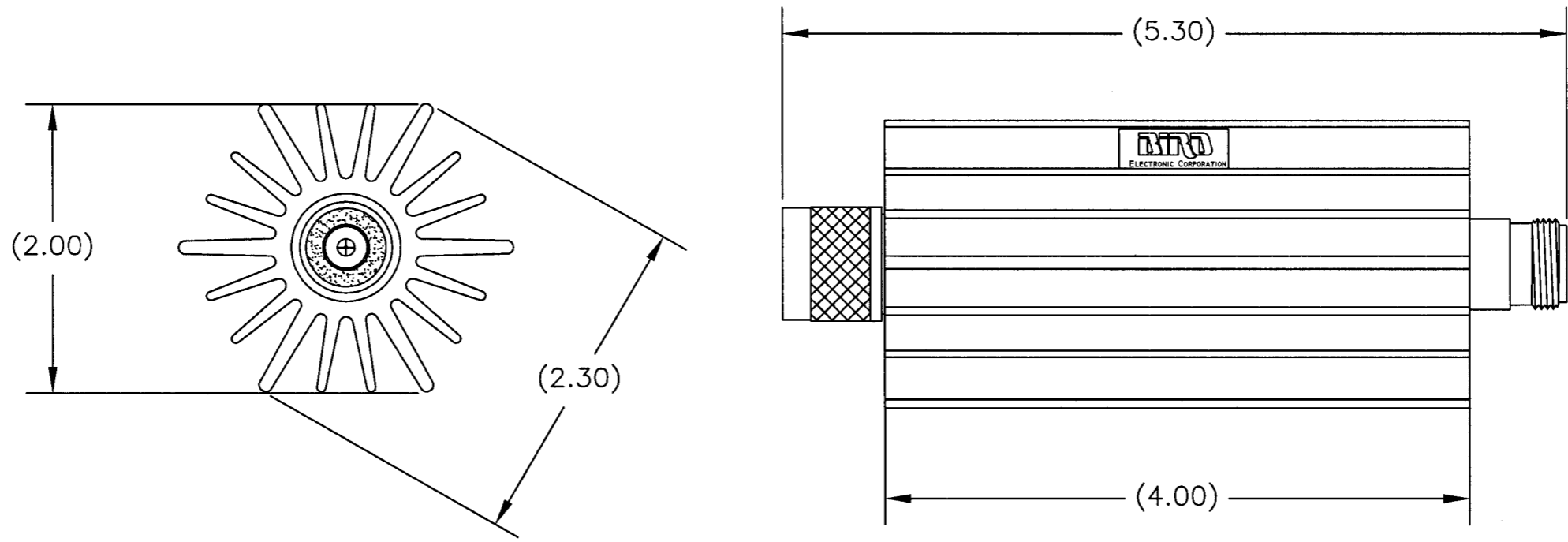


SHEET REV A
 DWG NO. 25-A-MFN-XX

REVISIONS				
ZONE	REV	DESCRIPTION	DATE	APPROVED
	A	ECN #0185	12-18-97	<i>MRU</i>

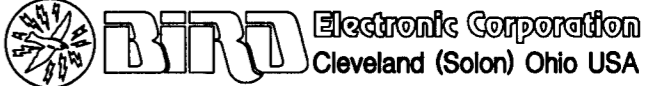
SPECIFICATIONS:
 25 WATT BI-DIRECTIONAL COAXIAL ATTENUATOR
 POWER RATING: 25 WATTS MAXIMUM @ 40°C.
 30 WATTS MAXIMUM @ 25°C.
 CONNECTORS: N-TYPE, MALE-FEMALE
 FREQUENCY RANGE & VSWR: DC TO 1GHz AT 1.10:1 MAX.
 1GHz TO 4GHz AT 1.25:1 MAX.
 IMPEDANCE: 50 OHMS, NOMINAL
 AMBIENT TEMPERATURE RANGE: -40°C TO +40°C
 OPERATING POSITION: ANY
 COOLANT: DRY (CONVECTION COOLED)
 FINISH: BLACK ANODIZED COOLING FINS, SILVER OR TRI-ALLOY PLATED CONNECTORS
 NOMINAL SIZE: 5.3"L X 2.3" DIA. (WITH N-TYPE MALE, FEMALE CONNECTORS)
 WEIGHT: APPROX. 9 OZ.



XX = DASH NUMBER (dB VALUE)

-30	30	±0.8 dB	±1.3 dB
-20	20	±0.5 dB	±1.0 dB
-10	10	±0.4 dB	±0.8 dB
-06	6	±0.4 dB	±0.6 dB
-03	3	±0.3 dB	±0.5 dB
-02	2	±0.3 dB	±0.5 dB
-01	1	±0.3 dB	±0.5 dB
DASH NO.	dB ATTEN.	DC - 1GHz ATTENUATOR	1 - 4GHz ACCURACY ±dB

DIMENSIONS HEREON ARE FOR CUSTOMER
 CONVENIENCE AND REFERENCE ONLY.
 TOLERANCE TO BE APPLIED ONLY WHERE
 INDIVIDUALLY STATED ON THE RESPECTIVE
 DIMENSION. -DO NOT SCALE DRAWING-

UNLESS OTHERWISE SPECIFIED DIMENSIONS ARE IN INCHES TOLERANCES ARE: FRACTIONS DECIMALS ANGLES $\pm 1/64$.XX = ±.010 ± 30' .XXX = ±.005		MILLIMETERS .X = ±.4 .XX = ±.12	THIS DRAWING IS THE PROPERTY OF THE BIRD ELECTRONIC CORPORATION. THE DESIGNS AND SPECIFICATIONS DISCLOSED HEREON ARE PROPRIETARY AND SHALL NOT BE REPRODUCED, NOR COPIED, NOR USED AS THE BASIS FOR THE MANUFACTURE OR SALE OF APPARATUS OR DEVICES WITHOUT THEIR EXPRESS WRITTEN CONSENT.			
MATERIAL		APPROVALS		DATE		
FINISH		DRAWN D.M.RINK		11-15-02		
		CHECKED				
		APPROVED <i>MRU</i>		1-13-03		
		AUTOCAD				
TITLE		F/ASSY, ATTENUATOR		N-TYPE MALE FEMALE, 25W		
SIZE	FSCM NO.	DWG. NO.	REV			
B	70998	25-A-MFN-XX	A			
SCALE	1:1	COMM CODE	AT1	SHEET 1 OF 1		